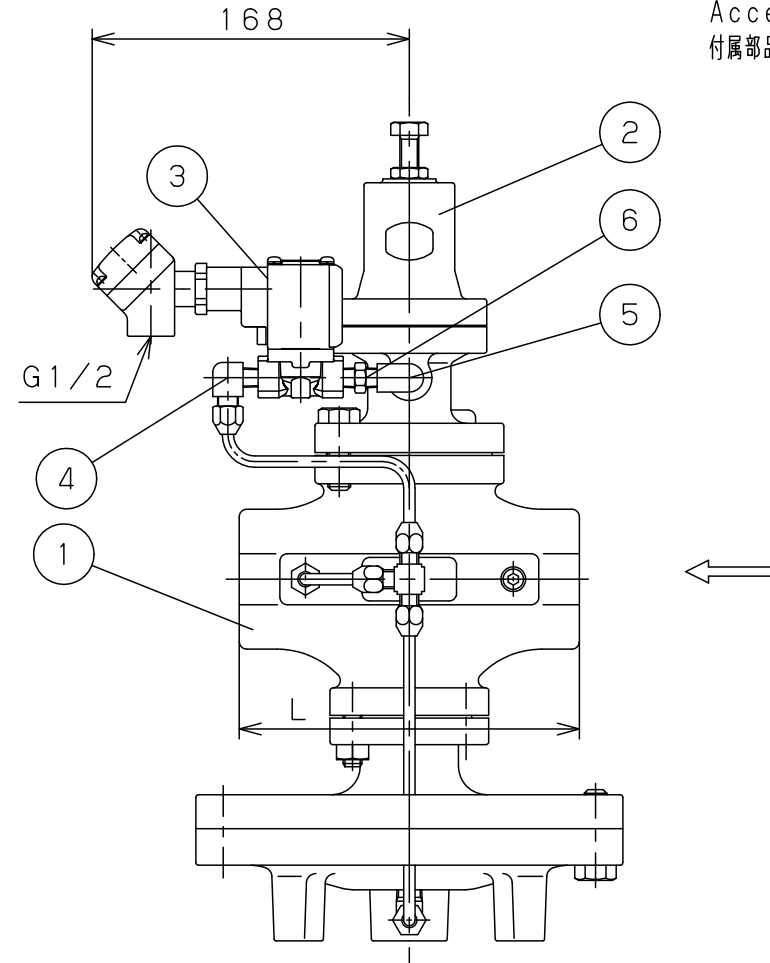
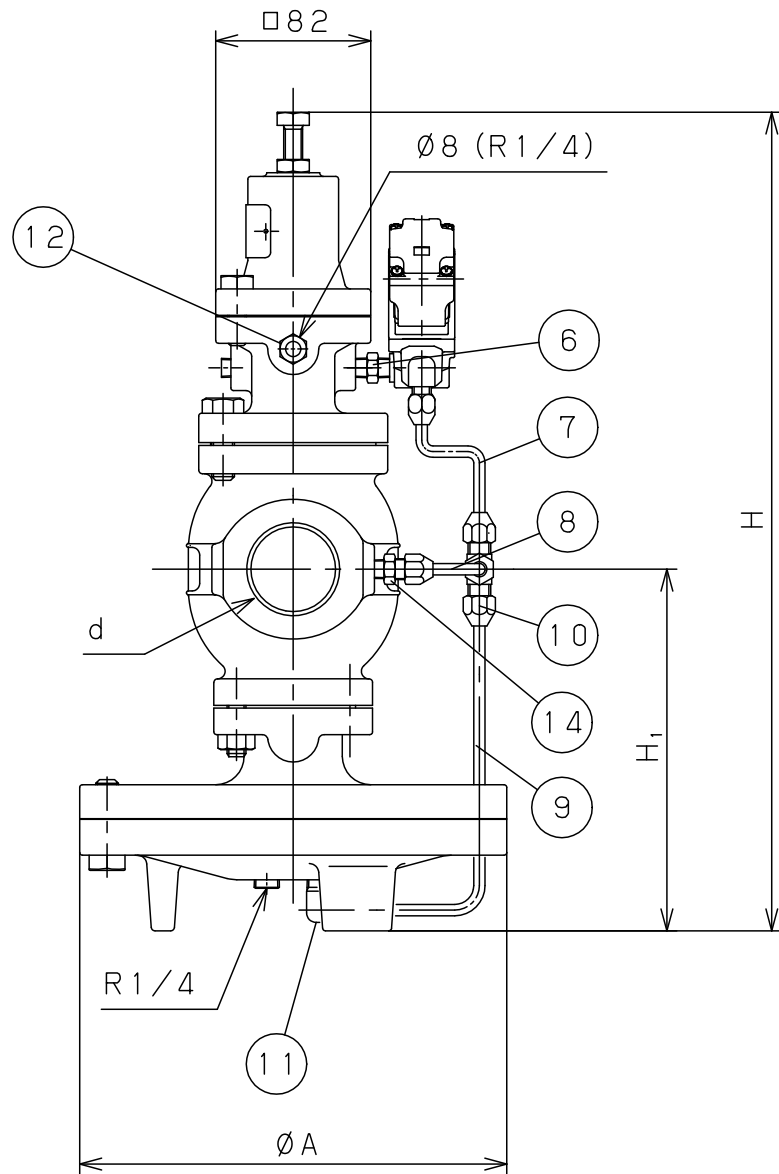


Accessory Parts  
付属部品



14	Joint	Brass	継手	C3604	1
13	Sensing Pipe	Copper	検出管	C1220	1
12	Sensing Pipe Joint	Brass	検出管継手	C3604	2
11	Elbow	Brass	エルボー	C3771	1
10	Tee	Brass	ティー	C3771	1
9	Pipe C	Copper	導管C	C1220	1
8	Pipe B	Copper	導管B	C1220	1
7	Pipe A	Copper	導管A	C1220	1
6	Nipple	Carbon Steel	ニップル 1/8	S25C	2
5	Elbow	Malleable Cast Iron	エルボー 1/8	FCMB	1
4	Elbow	Brass	エルボー 1/8	C3771	1
3	Pilot Valve DP-11A (With Terminal Box)	Brass	子弁 DP-11A (端子箱付)	C3771	1
2	Pilot Valve GP-2000BP	Ductile Cast Iron	子弁 GP-2000BP	FCD450	1
1	Main Valve GPM-2000	Ductile Cast Iron	親弁 GPM-2000	FCD450	1
No.	Name of Parts	Material	部品名	材質	Q. TY

Size	d	L	H <sub>1</sub>	H	A	Weight (kg)
15A	Rc 1/2	150	170	398	200	14.7
20A	Rc 3/4	150	170	398	200	14.7
25A	Rc 1	160	175	404	226	19.0
32A	Rc 1 1/4	180	192	434	226	22.2
40A	Rc 1 1/2	180	192	434	226	22.2
50A	Rc 2	230	216	498	276	33.7

Specification	
Fluid	
Inlet Press.	MPa
Reduced Press.	MPa
Temp.	℃
Voltage	V
Operation	
Flow Rate	

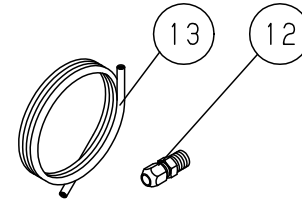
TYPE CP-2001 COMBINATION VALVE

コンビネーションバルブ

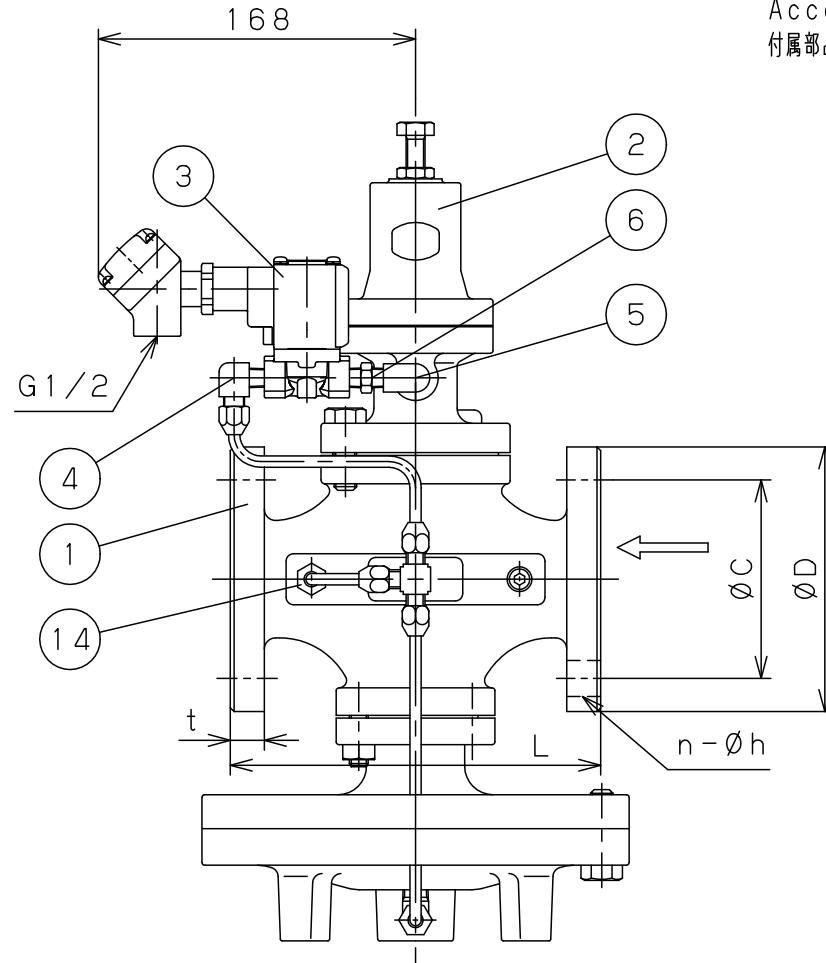
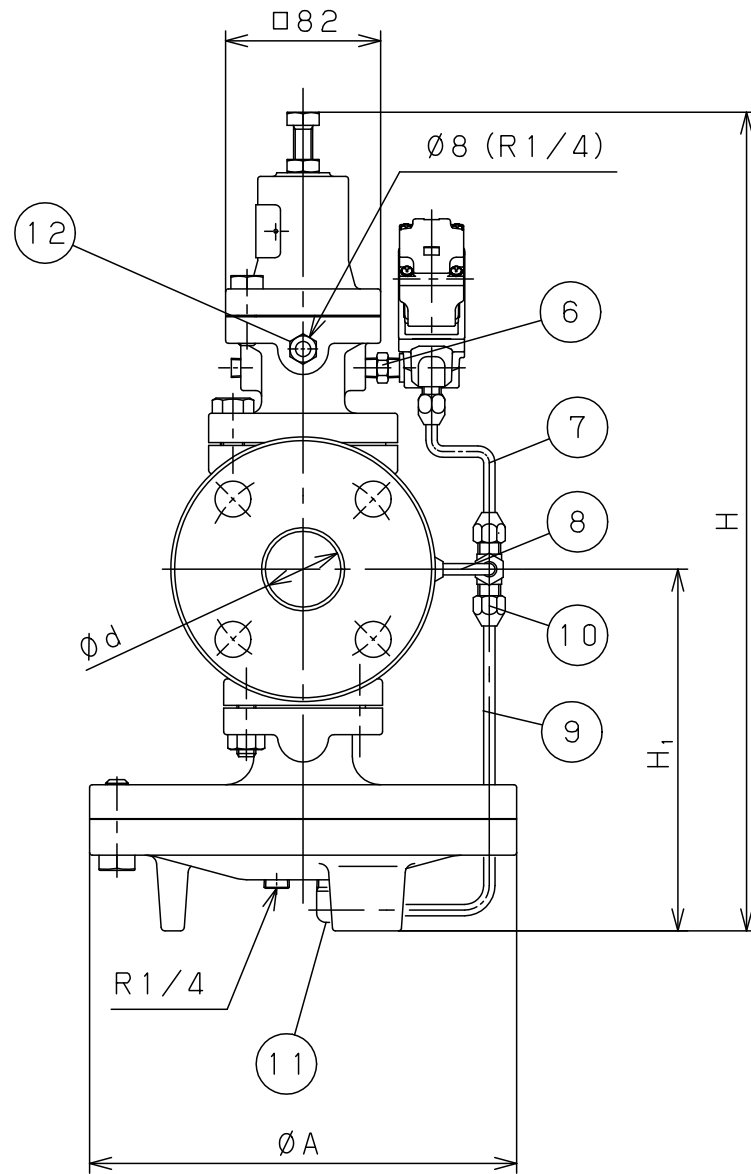
Approval	H. Iwamoto
Check	M. Yoshida
Drawing	Y. Aoyama
Drawing No.	Y-772-2201-1A
Date	10 DEC.2012

**Yoshitake**  
INC.

<http://www.yoshitake.co.jp>



Accessory Parts  
付属部品



14	Joint	Brass	継手	C3604	1
13	Sensing Pipe	Copper	検出管	C1220	1
12	Sensing Pipe Joint	Brass	検出管継手	C3604	2
11	Elbow	Brass	エルボー	C3771	1
10	Tee	Brass	ティー	C3771	1
9	Pipe C	Copper	導管C	C1220	1
8	Pipe B	Copper	導管B	C1220	1
7	Pipe A	Copper	導管A	C1220	1
6	Nipple	Carbon Steel	ニップル 1/8	S25C	2
5	Elbow	Malleable Cast Iron	エルボー 1/8	FCMB	1
4	Elbow	Brass	エルボー 1/8	C3771	1
3	Pilot Valve DP-11A (With Terminal Box)	Brass	子弁 DP-11A (端子箱付)	C3771	1
2	Pilot Valve GP-2000BP	Ductile Cast Iron	子弁 GP-2000BP	FCD450	1
1	Main Valve GPM-2000	Ductile Cast Iron	親弁 GPM-2000	FCD450	1
No.	Name of Parts	Material	部品名	材質	Q. TY

(mm)

Size	L	H <sub>1</sub>	H	A	Flange JIS 10K FF					Weight (kg)
					d	D	C	t	n-h	
15A	142	170	398	200	15	95	70	12	4-15	16.0
20A	142	170	398	200	20	100	75	14	4-15	16.5
25A	152	175	404	226	25	125	90	14	4-19	21.4
32A	172	192	434	226	32	135	100	16	4-19	24.3
40A	192	192	434	226	40	140	105	16	4-19	24.8
50A	218	216	498	276	50	155	120	16	4-19	36.2
65A	278	251	552	352	65	175	140	18	4-19	64.5
80A	294	264	575	352	80	185	150	18	8-19	69.6
100A	330	321	658	401	100	210	175	18	8-19	107.7

Specification	
Fluid	
Inlet Press.	MPa
Reduced Press.	MPa
Temp.	℃
Voltage	V
Operation	
Flow Rate	

TYPE CP-2001 COMBINATION VALVE

コンビネーションバルブ

Approval	H. Iwamoto
Check	M. Yoshida
Drawing	Y. Aoyama
Drawing No.	Y-772-2205-1A
Date	14 DEC. 2012



<http://www.yoshitake.co.jp>